

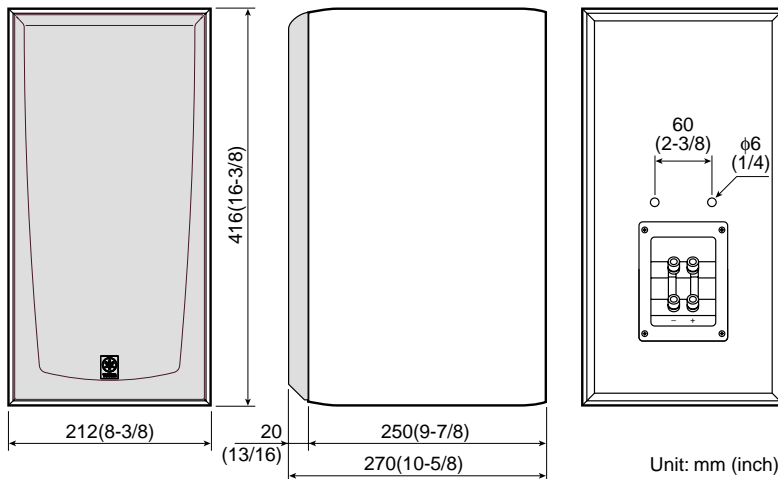


For more Hi-Fi manuals and set-up information  
please visit [www.hifiengine.com](http://www.hifiengine.com)

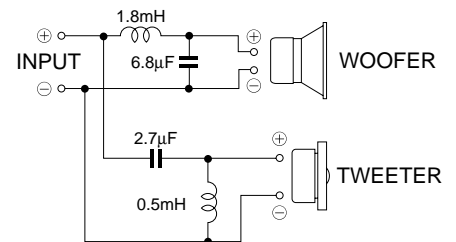
# SPEAKER SYSTEM NS-100

## SERVICE MANUAL

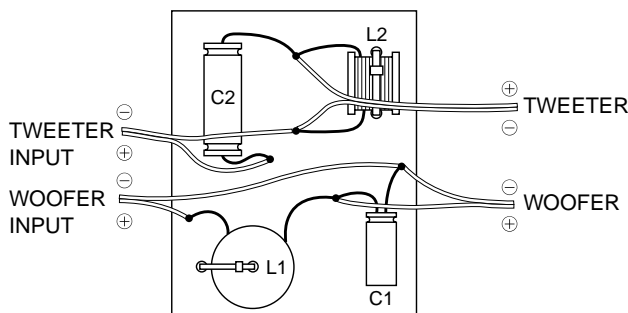
### ■ DIMENSIONS



### ■ NETWORK CIRCUIT DIAGRAM



### ■ WIRING DIAGRAM



### ■ SPECIFICATIONS

Type ..... 2-way 2-speaker bass reflex speaker system

#### Speaker Unit

Woofer ..... 16 cm (6.5") corn

Tweeter ..... 3 cm (1") dome

Nominal Impedance ..... 6 ohms

Frequency Response ..... 38 Hz ~ 35 kHz

Nominal Input Power ..... 100 W

Maximum Input Power ..... 300 W

Sensitivity ..... 90 dB/2.83 V/m

Crossover Frequency ..... 3 kHz

Dimensions (W x H x D) ..... 212 x 416 x 270 mm  
(8-3/8" x 16-3/8" x 10-5/8")

Weight ..... 8.6 kg (19 lbs.) / 1 piece

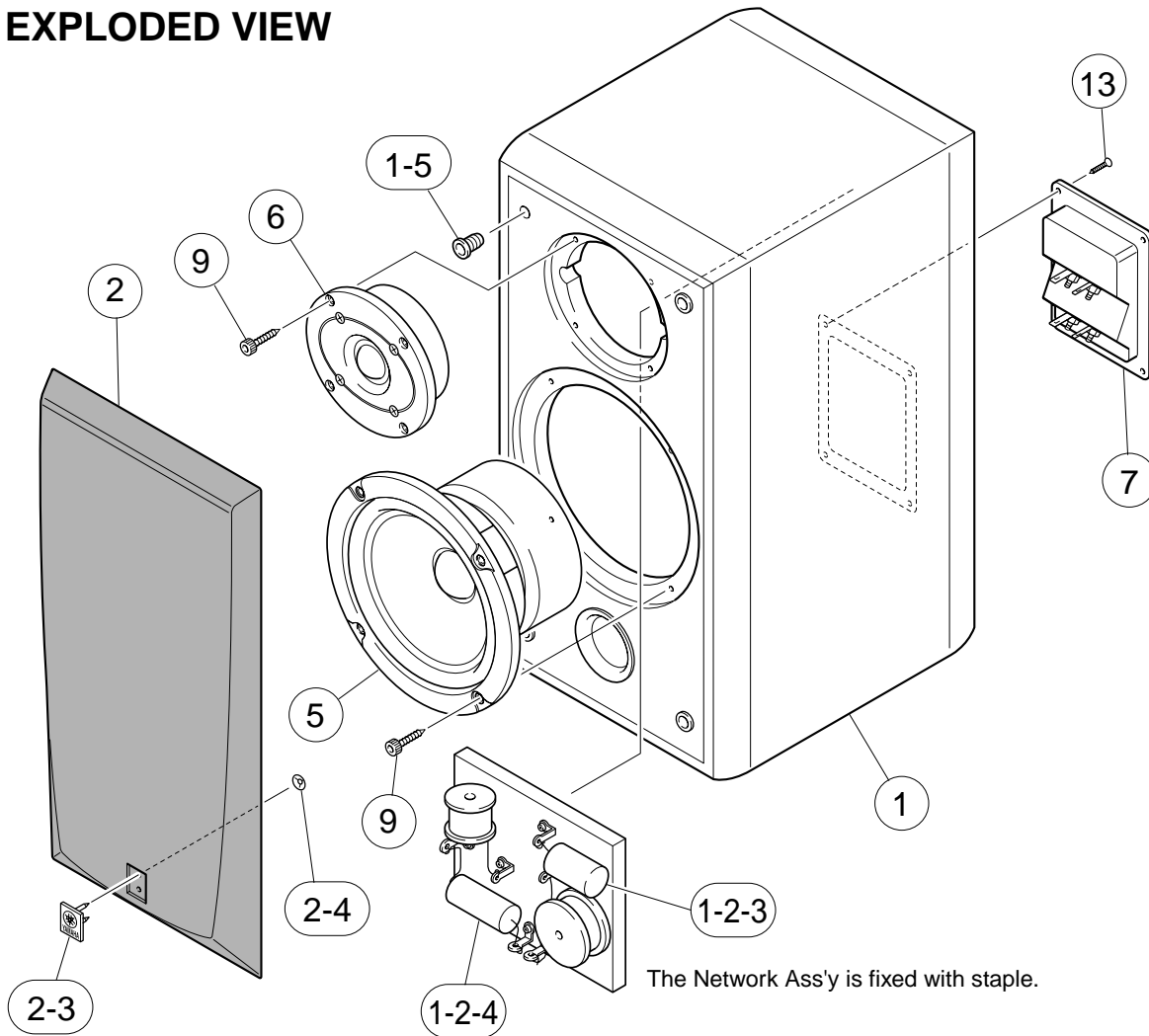
\* Specifications are subject change without notice due to product improvements.



このサービスマニュアルは、エコマーク認定の再生紙を使用しています。  
This Service Manual uses recycled paper.



■ EXPLODED VIEW



■ PARTS LIST

Ref. No.	PART NO.	Description	Remarks	Markets	
*	1	V4051600	CABINET ASS'Y	CH	
*	1	V4051700	CABINET ASS'Y	BL	
*	1-2-3	VA806800	ELECTROLYTIC CAP	6.8uF 50V	
*	1-2-4	FR116270	PAPER CAPACITOR	2.7uF 160V	
*	1-5	CB605250	HOLDER		
*	2	V4051400	FRONT GRILLE ASS'Y	CH	
*	2	V4585200	FRONT GRILLE ASS'Y	BL	
*	2-3	V2192200	EMBLEM	YAMAHA	
*	2-4	VP161000	PUSH NUT	SPN1.5	
*	5	XW230A00	LOUD SPEAKER	16cm	
*	6	XW232A00	LOUD SPEAKER	2.5cm	
*	7	V4041400	SPEAKER TERMINAL	4P	
*	9	V4041500	HEXAGON HEAD WOOD SCREW	4x20 MFCR3	
*	13	EN230180	OVAL HEAD TAPPING SCREW	3.5x16 MFC2-BL	
*		V4053100	ACCESSORIES TAPPING SCREW	6x12 MFC2-BL	

\* New Parts